

# ADS-20 Pressure Screen

ADS-screen is especially developed for screening of coating colour, surface size, pigments, lime milk and other demanding screening purposes.

## Basic information:

- Stainless steel (EN 1.4404/AISI 316L) construction
- Continuous mechanical cleaning; spring loaded doctor blades
- Wedge wire or perforated screen surface
- Washing nozzle in the cover
- Easy maintenance

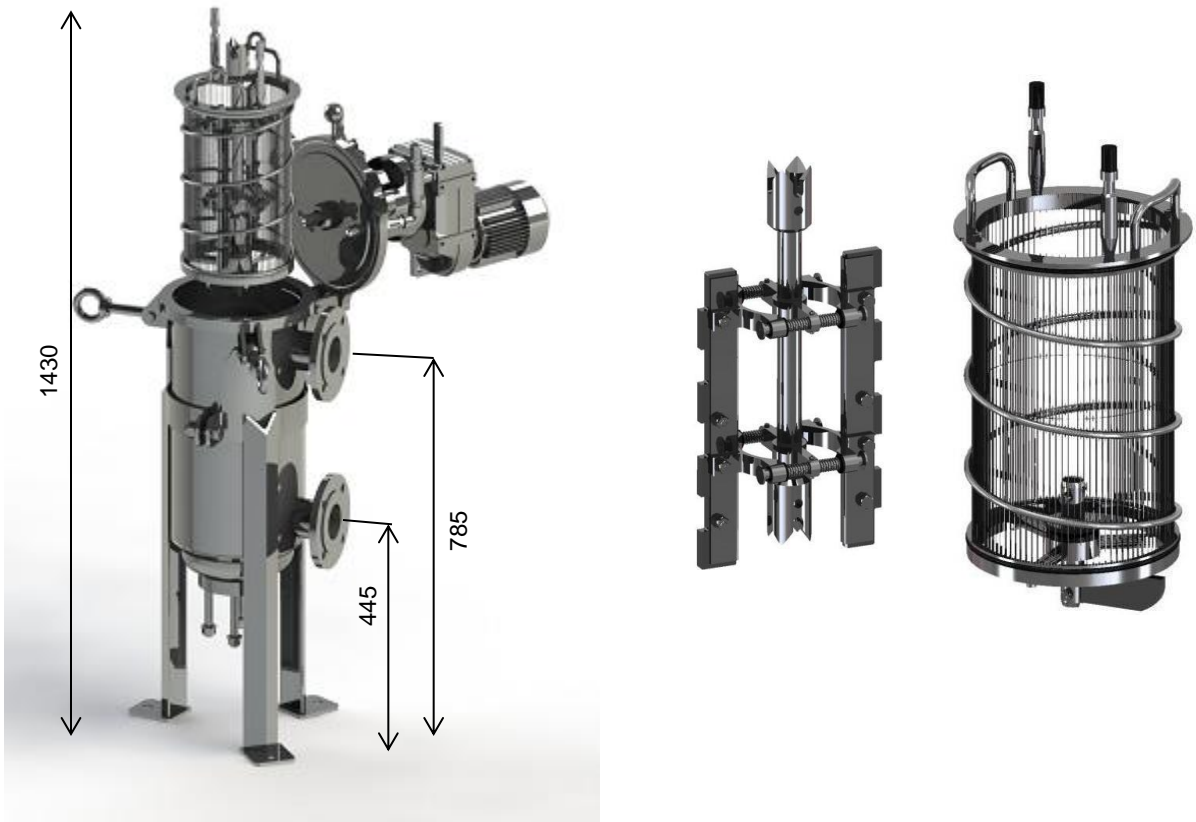


## Design flow ADS-20 and ADS-20HC:

Slot size/type	Design flow l/min	Design flow HC l/min
75 µm/wire	135	195
100 µm/wire	300	425
125 µm/wire	480	670
150 µm/wire	600	830
125 µm/perfor.	180	180
150 µm/perfor.	240	240

# ADS-20 Pressure Screen

## DIMENSIONS



### Specification ADS-20:

**Weight:**

- Total:	100 kg	(220 lbs)
- Screen drum:	8 kg	(18 lbs)
- Vessel:	5 kg	(11 lbs)

**Motor:**

0,15 kW (0,20 HP)

**Shaft sealing:**

Cord packing (Optional: mechanical seal)

**Connections:**

- Inlet: Flange DN 65 (2/1/2")	Outlet: Flange 65 (2/1/2")	Reject: DN 40 (1/1/2")
--------------------------------	----------------------------	------------------------

ANSI and JIS flanges available as optional