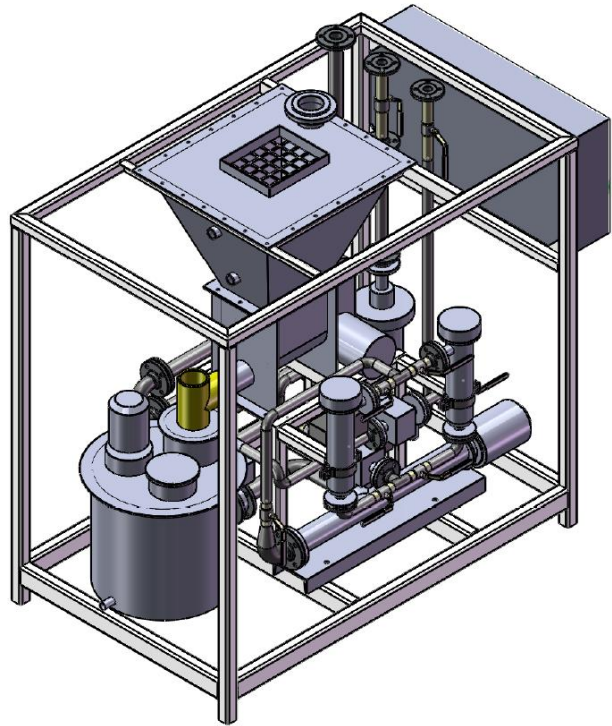


ADJet Starch cookers

ADJet starch cookers have been designed for continuous starch cooking applications:

- Wet-end starch
- Surface size
- Binder starch

Model (C)



Add-ons:

- Powder handling
- Slurry system
- Cooking pipe
- Steam separator

Basic information:

- Stainless steel construction
- Own PLC or integrated to customer DCS
- Wide capacity range
- Integrated directly to existing powder and slurry systems
- Tested before delivery