

ADS-57 Pressure Screen

ADS-screen is especially developed for screening of coating colour, surface size, pigments, lime milk and other demanding screening purposes.



Basic information:

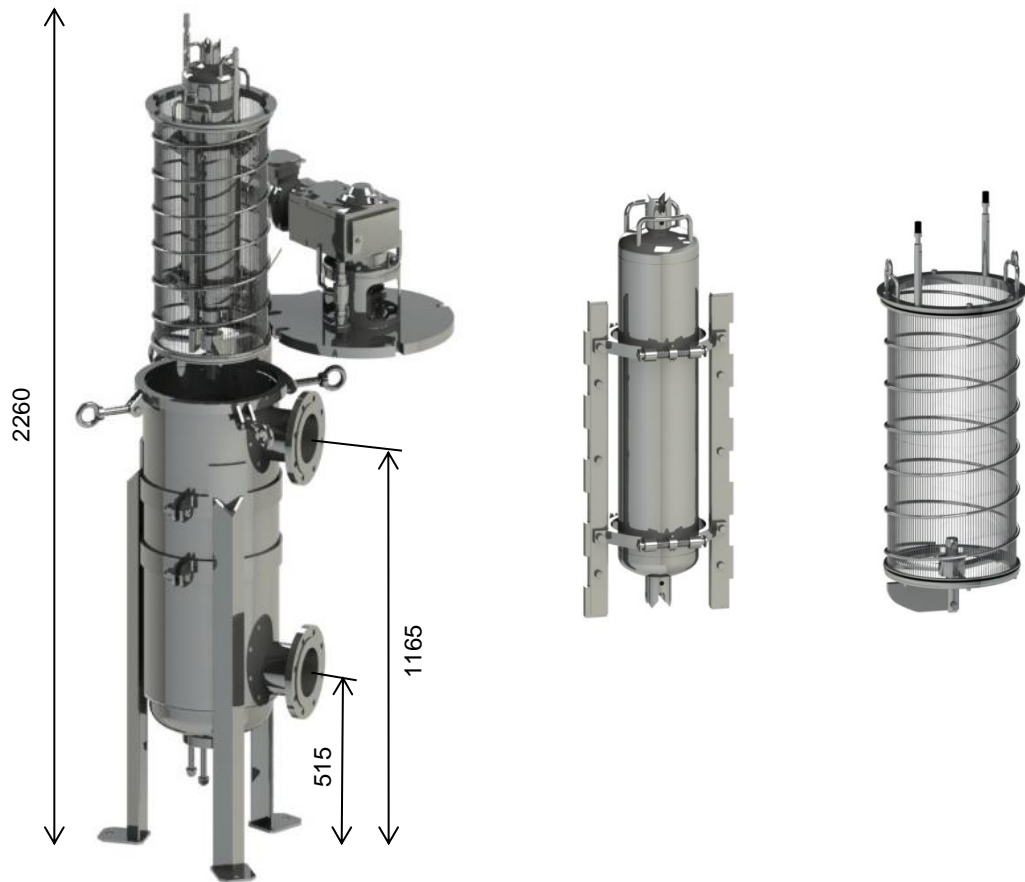
- Stainless steel (EN 1.4404/AISI 316L) construction
- Continuous mechanical cleaning; spring loaded doctor blades
- Wedge wire or perforated screen surface
- Washing nozzle in the cover
- Easy maintenance

Design flow ADS-57 and ADS-57HC:

Slot size/type	Design flow l/min	Design flow HC l/min
75 µm/wire	420	560
100 µm/wire	900	1110
125 µm/wire	1620	1980
150 µm/wire	2520	3050
125 µm/perfor.	550	550
150 µm/perfor.	710	710

ADS-57 Pressure Screen

DIMENSIONS



Specification ADS-57:

Weight:

- Total:	250 kg	(551 lbs)
- Screen drum:	18 kg	(40 lbs)
- Vessel:	17 kg	(37 lbs)

Motor:

0,12 kW (0,16 HP)

Shaft sealing:

Cord packing (Optional: mechanical seal)

Connections:

- Inlet: Flange DN 125 (5") Outlet: Flange DN 125 (5") Reject: DN 40 (1 1/2")

ANSI and JIS flanges available as optional