

ADS-80 Pressure Screen

ADS-80 Pressure Screen has been developed for screening of coating colour, surface size and pigments.

ADS screens meet the requirements of all kinds of supply systems for sizers and coating heads.

Basic information:

- Stainless steel (EN 1.4404/AISI 316L) construction
- Continuous mechanical cleaning; spring loaded doctor blades
- Wedge wire or perforated screen surface
- Washing nozzle in the cover
- Easy maintenance

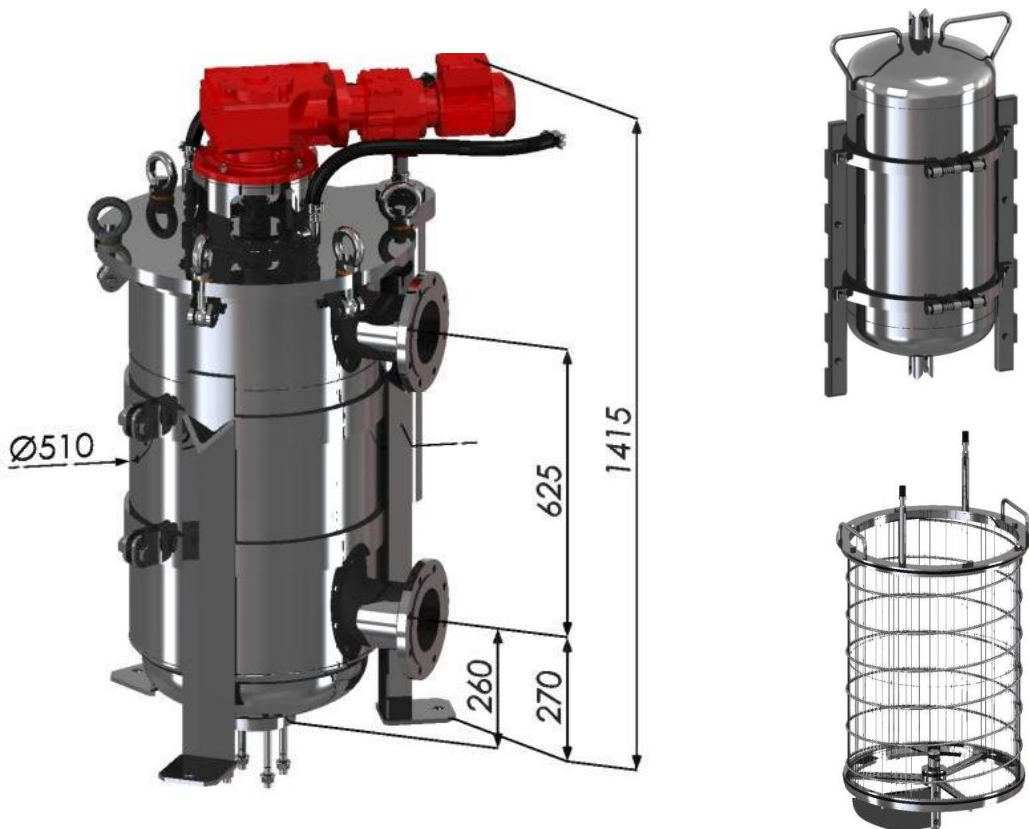


Design flow ADS-80 and ADS80HC:

Slot size/type	Design flow l/min	Design flow l/min
75 µm/wire	420	550
100 µm/wire	900	1200
125 µm/wire	1620	2050
150 µm/wire	2520	3200
125 µm/perfor.	720	720
150 µm/perfor.	960	960

ADS-80 Pressure Screen

DIMENSIONS



Specification ADS-80:

Weight:

- Total: 390 kg (860 lbs)
- Screen drum: 33 kg (73 lbs)
- Vessel: 32 kg (70 lbs)

Motor:

0,12 kW (0,16 HP)

Shaft sealing:

Cord packing (Optional: mechanical seal)

Connections:

- Inlet: Flange DN 125 (5") Outlet: Flange DN 125 (5") Reject: DN 50 (2")

ANSI and JIS flanges available as optional