

ADS-30 Pressure Screen

ADS-screen is especially developed for screening of coating colour, surface size, pigments, lime milk and other demanding screening purposes.

Basic information:

- Stainless steel (EN 1.4404/AISI 316L) construction
- Continuous mechanical cleaning; spring loaded doctor blades
- Wedge wire or perforated screen surface
- Washing nozzle in the cover
- Easy maintenance

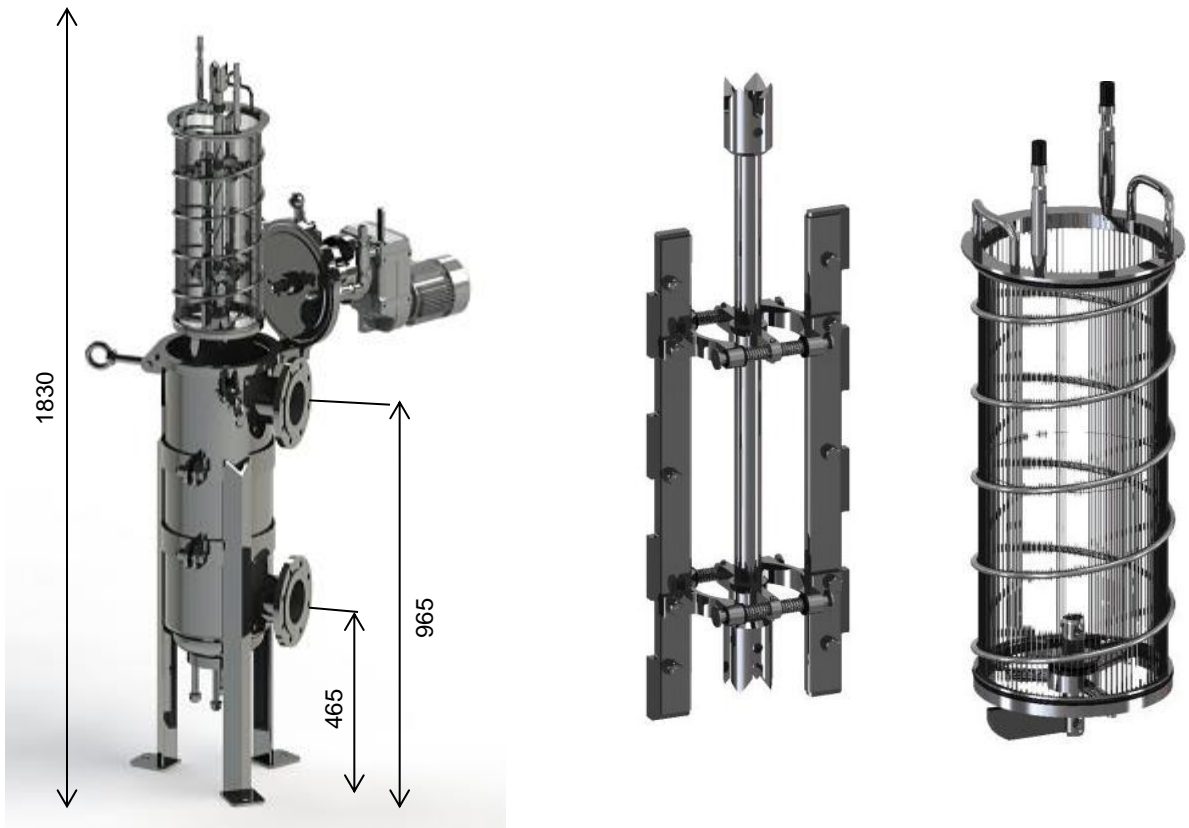


Design flow ADS-30 and ADS-30HC:

Slot size/type	Design flow l/min	Design flow HC l/min
75 µm/wire	210	300
100 µm/wire	420	590
125 µm/wire	720	1005
150 µm/wire	1200	1655
125 µm/perfor.	300	300
150 µm/perfor.	360	360

ADS-30 Pressure Screen

DIMENSIONS



Specification ADS-30:

Weight:

- Total: 115 kg (254 lbs)
- Screen drum: 10 kg (22 lbs)
- Vessel: 6 kg (13 lbs)

Motor:

0,15 kW (0,20 HP)

Shaft sealing:

Cord packing (Optional: mechanical seal)

Connections:

- Inlet: Flange DN 100 (4")
- Outlet: Flange DN 100 (4")
- Reject: DN 40 (1/1/2")

ANSI and JIS flanges available as optional